

# MISENO

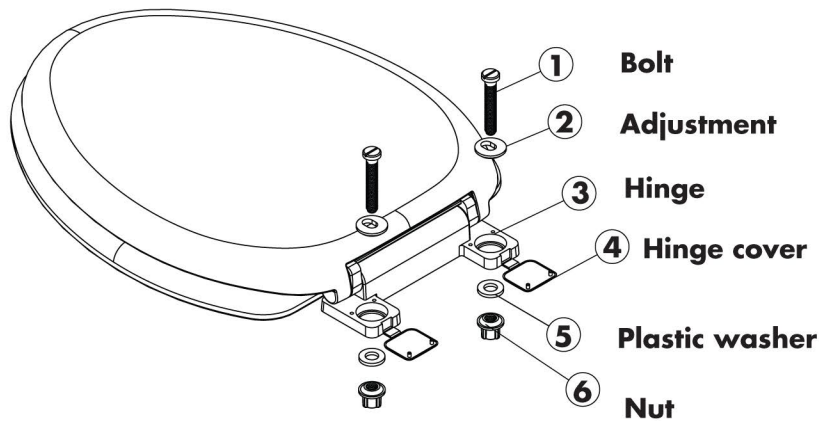
— TAKE ME HOME —

## TOILET SEAT INSTALLATION INSTRUCTIONS

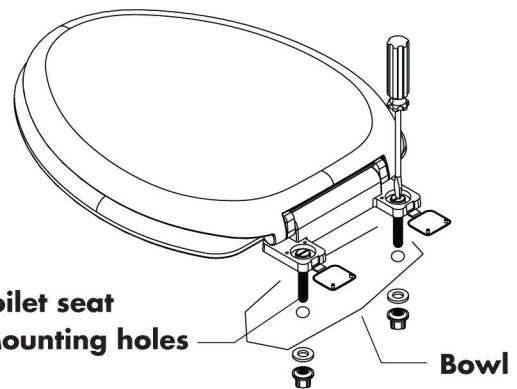
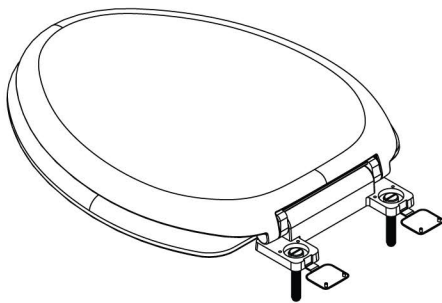
### BEFORE YOU BEGIN

To insure that your installation proceeds smoothly, please read these instructions.

Carefully unpack these and examine all of the items you have selected.



### TOILET SEAT INSTALLATION



1. Carefully remove old seat.
2. Place new toilet seat on the toilet bowl.
3. Make sure that the hinge bolts (1) are inserted through or connected to the seat hinge (3).
4. Insert hinge bolts (1) through the holes in the rear of the toilet bowl.
5. Place the nuts (6) on the hinge bolts (1) and tighten until the nut is firmly seated.

**\*\*IMPORTANT: Do not over tighten the nuts as this could crack the toilet bowl.**